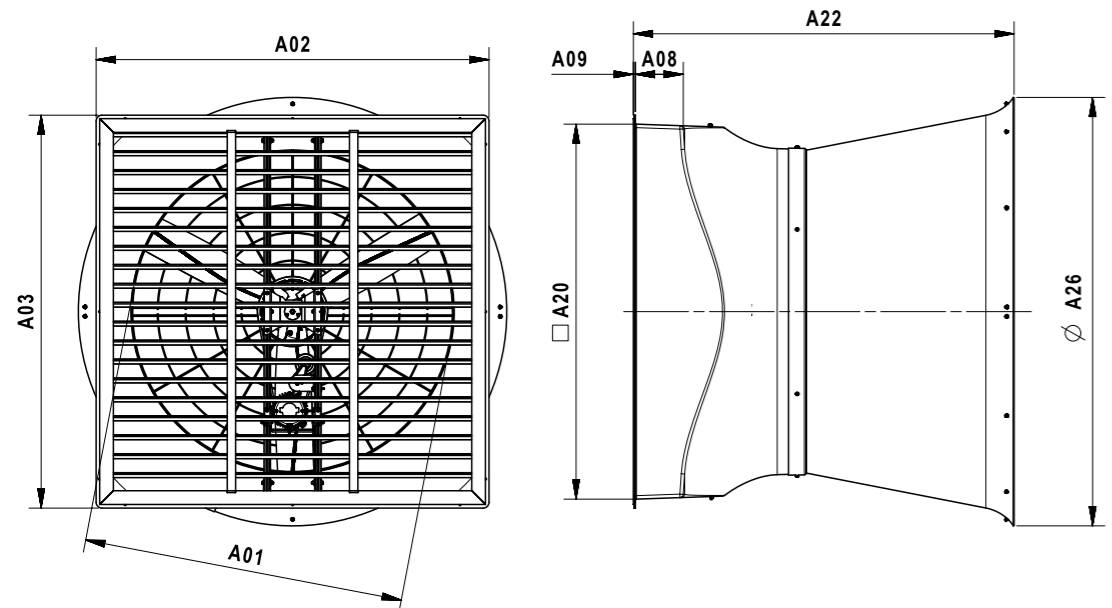
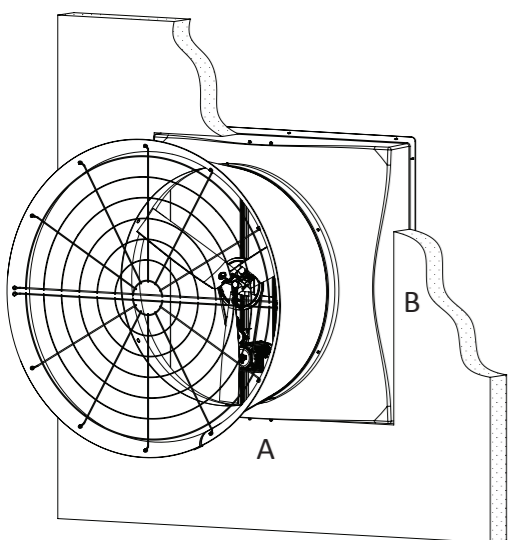


Dimensions



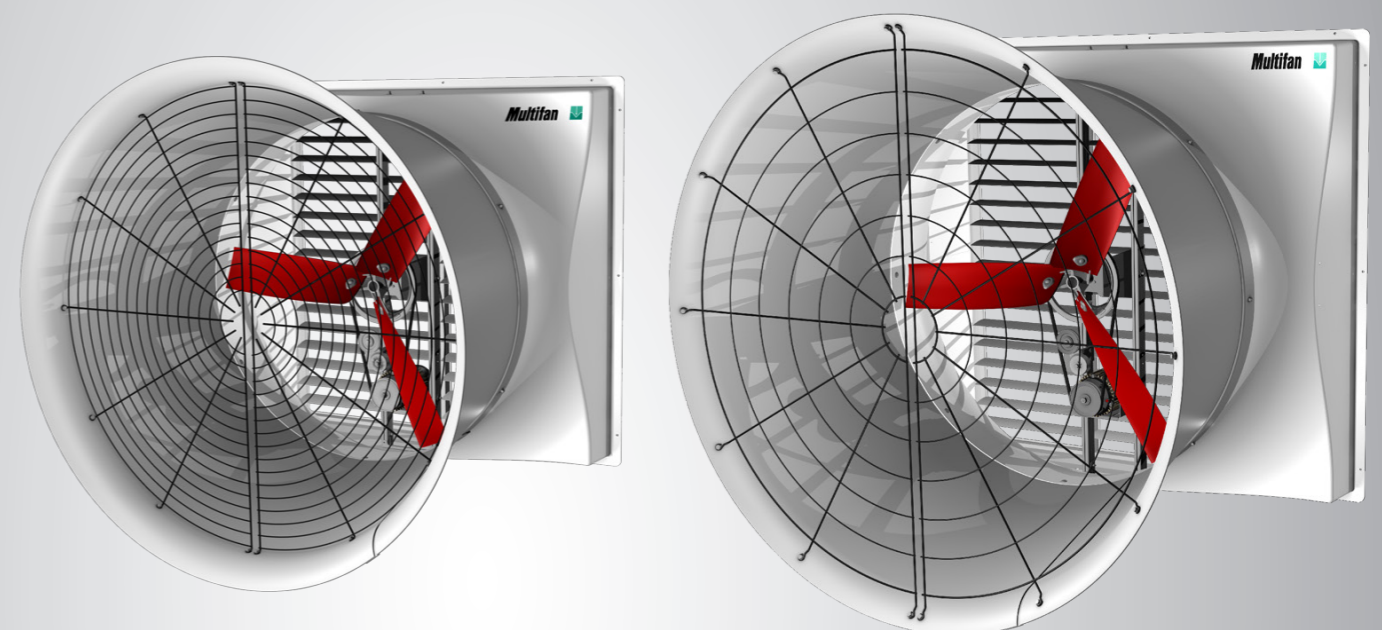
Dimensions (mm)								
∅ (mm)	A01	A02	A03	A08	A09	A20	A22	A26
450	450	692	692	207	6,5	604	783	639
630	640	879	879	207	4	790	909	907
920	913	1246	1246	207	8,5	1178	1236	1282
1300	1284	1515	1515	204	8	1465	1593	1766
1400	1375	1690	1690	207	8,5	1651	1645	1871



Dimensions (mm)		
∅ (mm)	A	B
450	604	604
630	790	790
920	1178	1178
1300	1465	1465
1400	1651	1651



Fiberglass Cone Fan line



VOSTERMANS VENTILATION

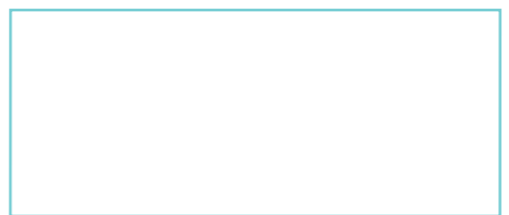
Vostermans Ventilation B.V.
 P.O. Box 3025
 NL-5902 RA Venlo – Holland
 Tel. +31 (0)77 389 32 32
 Fax +31 (0)77 382 08 93
ventilation@vostermans.com
www.vostermans.com

Vostermans Ventilation S.A.R.L.
 B.P. 1801
 27018 Evreux Cedex
 France
 Tel. +33 (0)2 32 38 11 00
 Fax +33 (0)2 32 33 37 12
ventilation@vostermansfrance.com
www.vostermans.com

Vostermans Ventilation Inc.
 2439 S.Main St. – USA
 Bloomington, IL 61704
 Tel. +1 309 827 - 9798
 Fax +1 309 829 - 1993
ventilation@vostermansusa.com
www.vostermansusa.com

Vostermans Ventilation Sdn. Bhd.
 330, Lot 2593, Jln Seruling 59, Kws3,
 Tmn Klang Jaya, 41200, Klang,
 Selangor D.E., Malaysia
 Tel. +60 (0)33324 3638 (HL)
 Fax +60 (0)33324 1239
ventilation@vostermansasia.com
www.vostermans.com

Vostermans Ventilation B.V. develops, manufactures and distributes the full line of:



Subject to alterations 11/2014



SHAPING THE FUTURE

Fiberglass Cone Fan line

Through the aerodynamic design of the new Multifan Fiberglass Cone Fan line, Vostermans Ventilation can offer the market a fiberglass cone fan line, which sets a new ventilation standard focusing on the three most important fan parameters: air performance, fan efficiency and the air flow ratio.

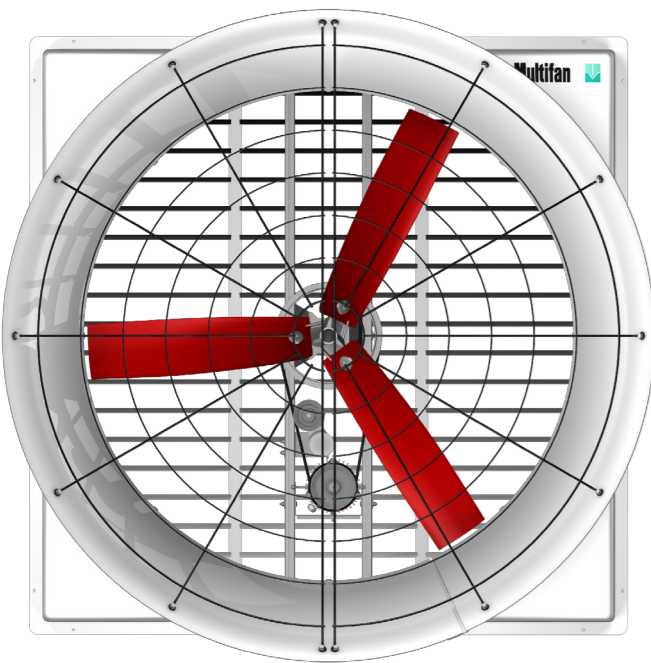
Tunnel or length ventilated livestock buildings and greenhouses demand through higher product performances also higher quantities of air. With durability and reliability as an asset, the Multifan Fiberglass Cone Fan line guarantees fresh air at low cost.

Facts

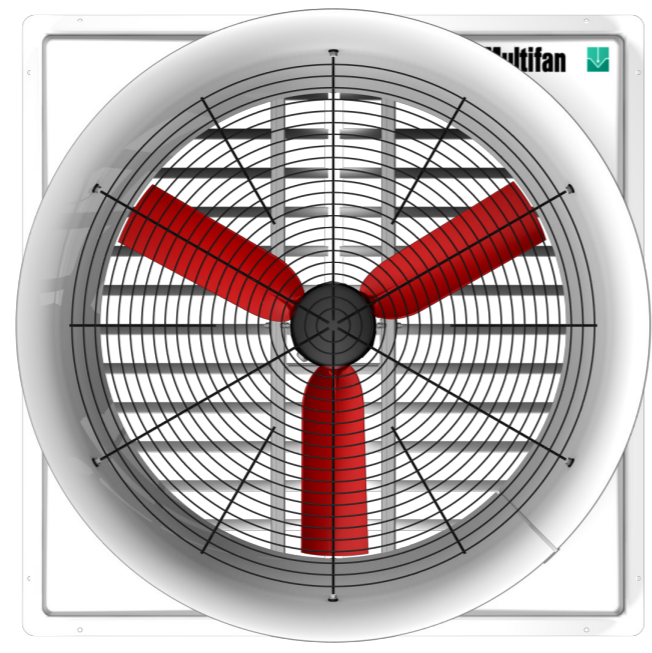
- Airfoil glassfiber-reinforced impellers
- All internal hardware is made of stainless steel and aluminum to ensure maximum corrosion protection
- Maximum ambient temperature of 40°C
- Belt tensioner mounted on the frame
- Long lifetime bearings
- Fan is belt driven (130 cm and 140 cm)
- Belt is adjustable and removable by 1 person
- Direct drive versions available for 45 cm, 63 cm and 92 cm
- Materials resistant against aggressive climates
- Heavy gauged rotomolded discharge cone, stackable for logistic advantages
- Extremely rugged and corrosion resistant RTM fiberglass casing
- All materials are smoothly finished on both sides and protected by UV coating
- Corrosion proof aluminum or PVC shutter

Advantages

- Maximal air performance
- High efficiency
- High durability
- Easy to maintain and install
- Optimal aerodynamical air intake
- 3-year warranty on the Multifan motor
- Low noise level
- Easy to clean for optimal hygiene



Belt drive fan



Direct drive fan

Technical data



Ø	RPM	Item	Number of blades	P _{in}	SEF at 0 Pa	I ₁	I ₂	I _{1 max}	I _{2 max}	Q _v (m ³ /h)					Psf max	Controllability*	Bess Measurement number**	
										0 Pa	10 Pa	25 Pa	50 Pa	75 Pa				
(mm)				(W)	(W/1000m ³ /h)	(A)	(A)	(A)	(A)									
3~240/420 V 60 Hz	450	1720	C4D45K0M10241	3	340	43,9	1,5	0,9	1,6	0,9	7750	7500	7100	6250	5400	75	T	14150
	630	1120	C6D63K0M10241	4	490	35,0	2,0	1,2	2,1	1,2	13900	13400	12600	11200	9350	75	T	14144
	630	1085	C6D63K1M10241	5	660	50,8	2,4	1,4	2,6	1,5	13100	12700	12500	11600	10300	125	T	14142
	920	815	C8D92K0M10241	3	700	33,1	3,6	2,1	3,8	2,2	21300	20400	19000	15600		60	T	13643
	1300	570	C4D1302M10241	3	1300	26,7	4,0	2,3	4,5	2,6	48000	46200	43400	37000		60	-	13659
	1400	535	C4D1402M10241	3	1250	22,7	4,0	2,3	4,6	2,7	54300	52100	49550	40400		60	-	12741
	1400	540	C4D1422M10241	5	1150	24,5	3,7	2,2	4,6	2,7	46000	44300	41500	36500		70	-	12744
1~240V 60 Hz	450	1685	C4E45K0M10241	3	320	42,7	1,5		1,6		7550	7300	6950	6200	5150	75	E/T	14146
	630	1125	C6E63K0M10241	4	560	40,2	2,4		2,6		13900	13400	12600	11200	9250	75	E/T	14132
	630	1085	C6E63K1M10241	5	670	51,6	2,9		3,3		13100	12900	12500	11500	10100	125	E/T	14130
	920	815	C8E92K0M10241	3	730	34,4	3,6		3,9		21300	20400	18950	15600		60	E/T	13645
3~230/400V 50 Hz	450	1460	C4D45A0M10241	6	280	39,2	1,8	1,0	1,8	1,1	7100	6900	6400	5650	4650	75	T	14194
	630	960	C6D63A0M10241	4	430	32,9	2,2	1,3	2,2	1,3	13100	12500	11300	9400		60	T	14138
	630	935	C6D63A1M10241	5	570	43,6	2,4	1,4	2,6	1,5	13000	12700	12000	10800	9150	100	T	14140
	920	895	C6D92A0M10241	3	740	33,8	2,7	1,6	3,0	1,8	21800	21000	19650	16900		70	T	13648
	1300	580	C4D1303M10241	3	1350	27,8	4,5	2,6	5,0	2,9	48800	47000	43950	38000		60	-	13660
	1400	530	C4D1403M10241	3	1200	22,5	4,4	2,5	4,8	2,8	53400	51300	47700	38600		60	-	12746
	1400	535	C4D1423M10241	5	1100	24,7	4,2	2,4	4,9	2,8	45200	43500	40800	35600		70	-	12745
1~230V 50 Hz	450	1445	C4E45A0M10241	6	270	39,3	1,4		1,6		6900	6700	6300	5500		65	E/T	14186
	630	950	C6E63A0M10241	4	450	34,3	2,0		2,1		13000	12400	11300	9400		60	E/T	14136
	630	925	C6E63A1M10241	5	550	42,1	2,4		2,8		13000	12600	11900	10700	8750	100	E/T	14134
	920	885	C6E92A0M10241	3	770	36,2	3,9		4,4		21300	20400	18950	15800		70	E/T	13650

* Controllable Electronically (E), by Transformer (T) or by Frequency (F), contact us for all possibilities.
 ** Measured with aluminum shutter and wireguard. For standard Bess test publishing, single phase tests are performed at 230V, three phase tests are performed at 230/400V.